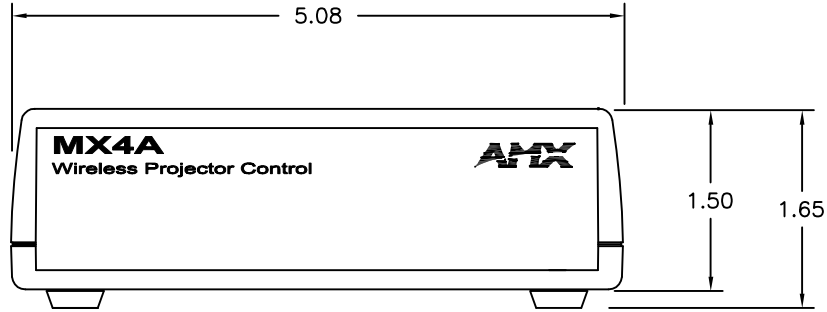
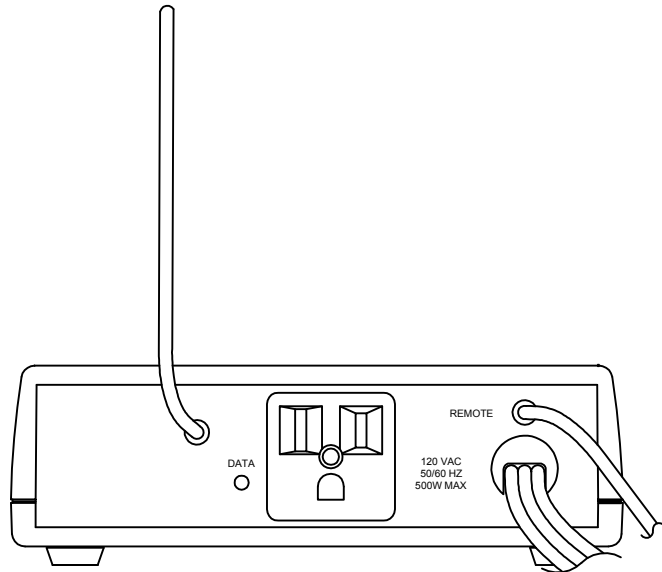


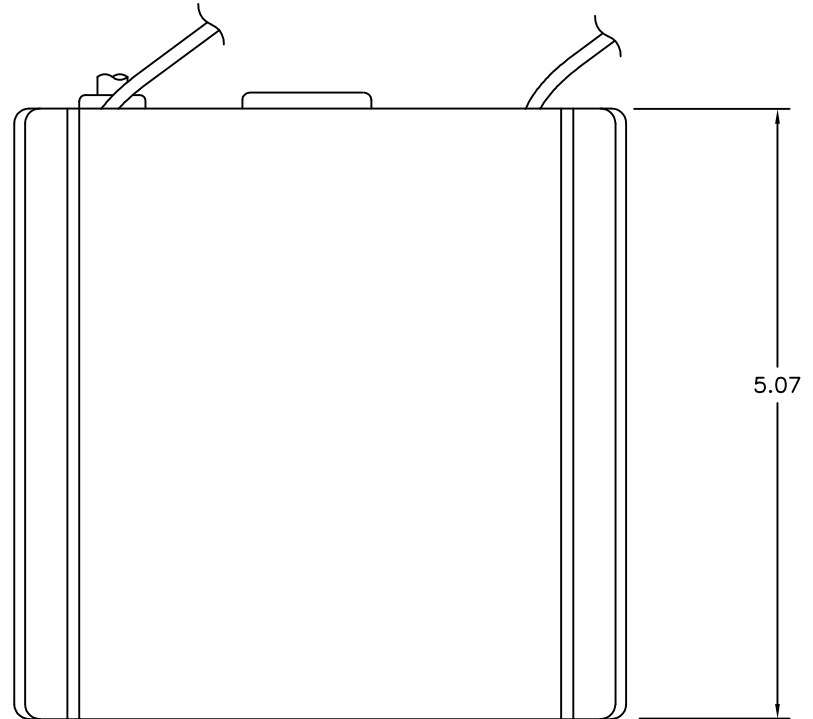
REVISIONS			
REV	DESCRIPTION	DATE	APPROVED
A	RELEASED TO PRODUCTION	4/14/98	
B	ECN 2012, PANJA	8/17/00	
C	ECN 2631, UPDATE TB	7/26/01	



FRONT VIEW



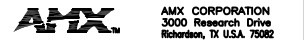
REAR VIEW



TOP VIEW

NOTICE: This drawing is the property of AMX CORPORATION. All information contained herein that is not generally known shall be confidential except to the extent the information has been previously established. This drawing may not be reproduced, copied or used as the basis for manufacture or sale without written permission.

DRAWN	RBF	1/27/98
PURCH	LW	4/23/98
APPD ENG	RBF	4/23/98
APPD QC	PC	4/23/98
APPD MFG	MBB	4/24/98
THIRD ANGLE PROJECTION		



PICTORIAL		REV. C
MX4A		
WIRELESS PROJECTOR CONTROL		
SIZE B	DWG. NO. 95-0258-01	
SCALE FULL	95025801	SHEET 1 OF 1